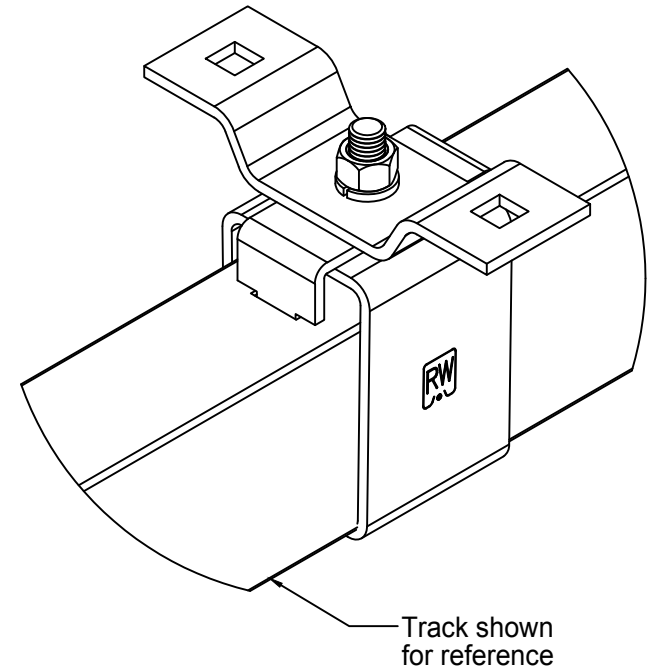
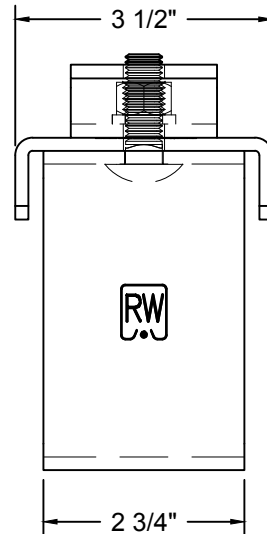
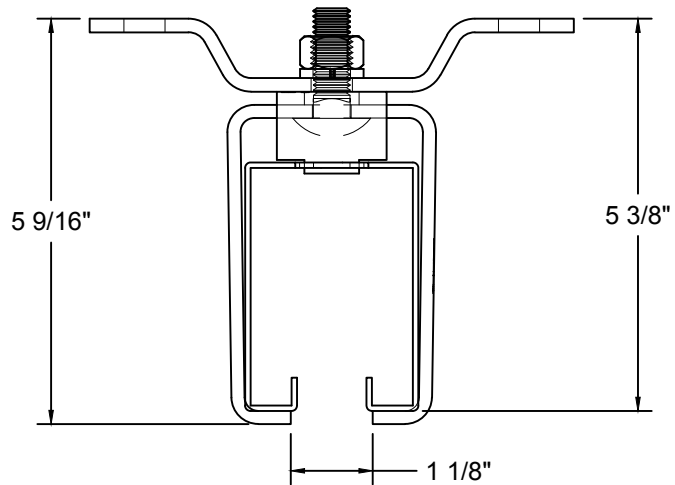
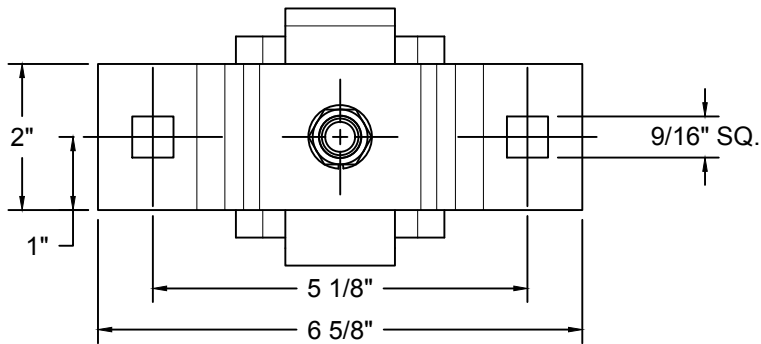


**232 CROSS EAR L-JT BRKT PNTD**

PART No. 0232.00048



Note:  
Maximum bracket spacing is 24' on center.

PART No.	FINISH
0232.00048	STANDARD POWDER PAINT
0232.00048U	UNFINISH
0232.00048SC	SPECIAL COLOR POWDER PAINT
0232.00048SS	304 STAINLESS STEEL
0232.00049	ZINC PLATE

**RICHARDS-WILCOX**

600 S. Lake St. Aurora, IL 60506  
800-253-5668 • (630) 897-6951  
richardswilcox.com

DESCRIPTION:

232 CROSS EAR LOCK-JOINT BRKT

Part No.:  
0232.00048

Date:  
5/14/2013

Part Weight:  
2.60

Rev.:  
E

**NOTICE:**  
THIS DRAWING IN DESIGN AND DETAIL IS THE PROPERTY OF RICHARDS-WILCOX. ANY REPRODUCTIONS OF THIS PRINT AND/OR DESIGN WITHOUT THE WRITTEN CONSENT OF RICHARDS-WILCOX IS PROHIBITED.