

4

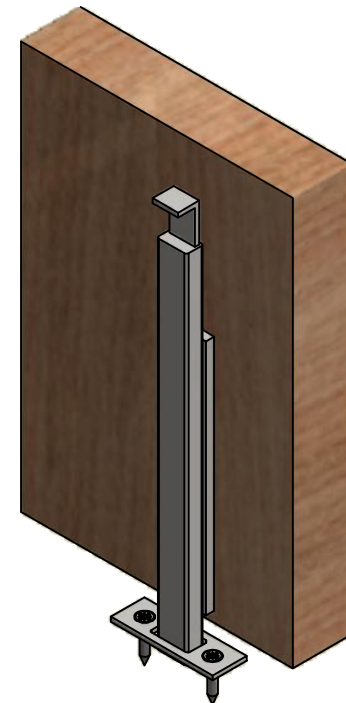
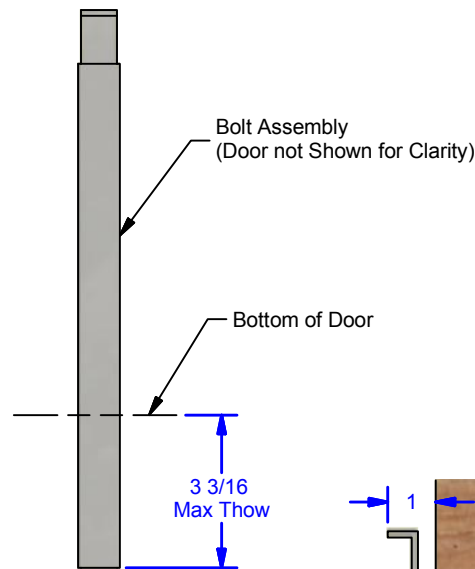
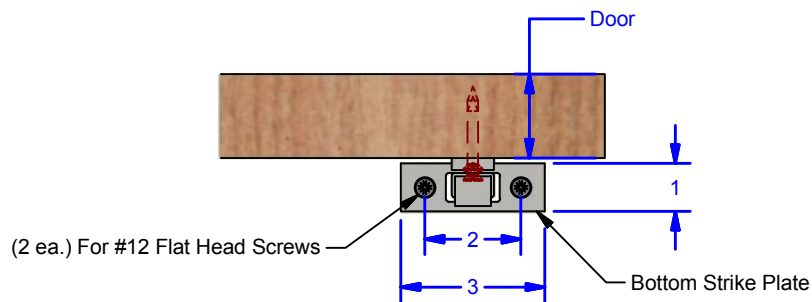
3

2

1

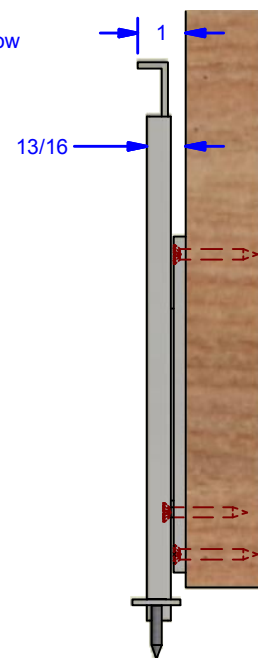
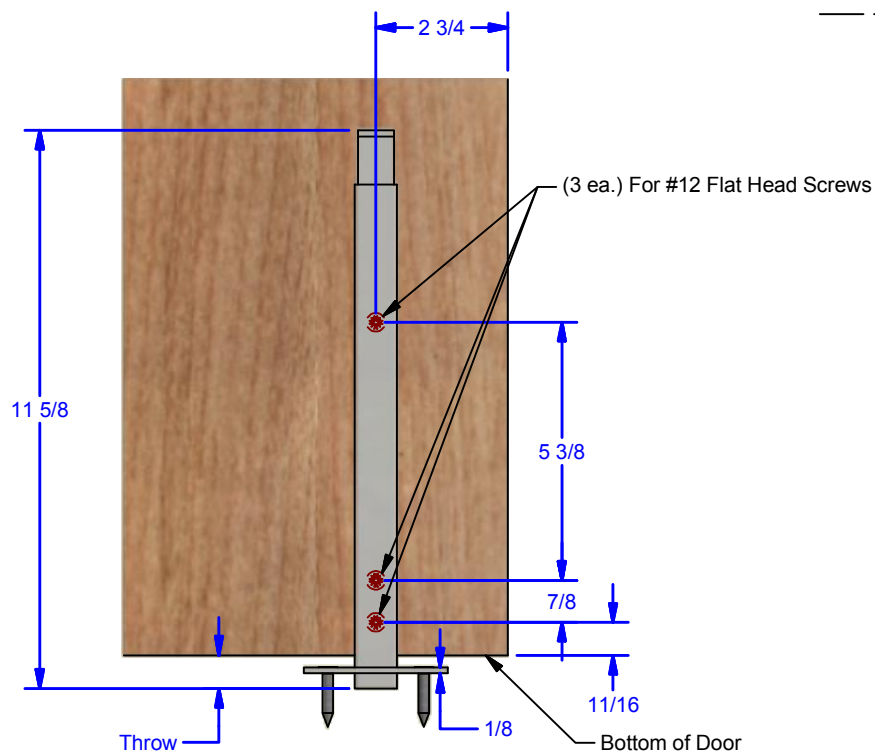
D

D



C

C



B

B

A

A

Fasteners Included:

- (3 ea) #12-24 x 1" Flat Head Phillips Machine Screw
- (3 ea) #12 x 1-1/4" Flat Head Phillips Sheet Metal Screw
- (2 ea) #12-24 x 1" Flat Head Phillips Machine Screw
- (2 ea) #12 x 1-1/4" Flat Head Phillips Sheet Metal Screw w/ Plastic Expansion Shields

DWG #: 0002360
 DRAWN:BCM 10/14/2016
 SHEET #1
 File: 0002360.idw

ALL DIMENSIONS IN INCHES

THE INFORMATION CONTAINED IN THIS DRAWING IS THE SOLE PROPERTY OF CROWN INDUSTRIAL. ANY REPRODUCTION IN PART OR AS A WHOLE WITHOUT THE WRITTEN PERMISSION OF CROWN INDUSTRIAL IS PROHIBITED.	ID #:	0002359	STOCK PART #:	SB11
	MATERIAL:			
DESCRIPTION: Surface Bolt x 11-1/2"				
FINISH: 689 Painted Aluminum or 695 Painted Dark Bronze			# PCS:	1
			REV:	



CROWN INDUSTRIAL
 So. San Francisco, Ca
 (650) 952-5150
 www.crown-industrial.com

4

3

2

1