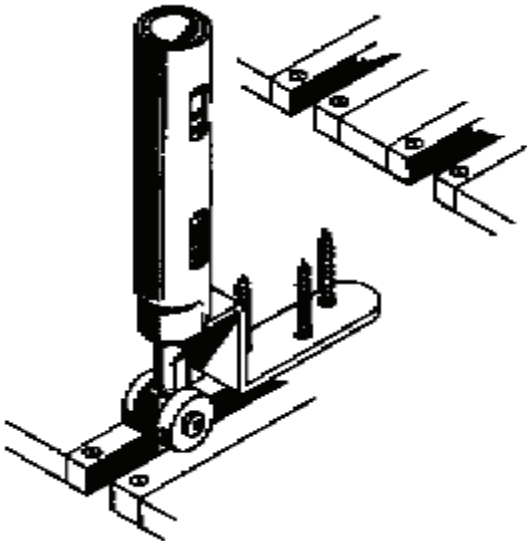


Floor Guide Track Systems

NO. 739 FLOOR GUIDE



No. 739 P26 Floor Guide

Ideal for telescoping doors or slide folding doors. For use on doors with a minimum thickness of 1-3/8". Number of guides should equal number of hangers used on doors. Hardware should be located directly in line with hangers on folding and sliding doors.

Rollers held in contact with the guide track by light spring pressure; swivels when used with folding doors.

Finish: Painted. Packed: One wrapped with screws. Weight: 1 lb. each.

No. 739 P28 Floor Guide Track

Designed for use with the 739 P26 Floor Guide on telescoping or slide folding wood door applications. Available in single track sets 10' long. Use multiple sets for parallel sliding doors.

Construction: Heavy steel bars, 3/8"x1/2"x10' Lng.

Packed: In bulk, less fasteners.

Finish: Painted. Also available in stainless steel bars.

NO. CRC-75 FLOOR GUIDE TRACK W/ CR-P375 BOTTOM GUIDE

No. CRC-75 Bottom Guide Bronze Track with CR-P375 Bottom Delrin Guide

Ideal for telescoping or bypassing applications. For use on interior and exterior doors with a minimum thickness of 1-3/8". The bottom of the door must be prepared with a 3/8"x1-1/2" continuous slot to accommodate the CR-P375 bottom delrin guide. The floor must also be prepared for the 3/4"x3/4" CRC-75 Bottom Guide (for floor preparation allow for shimming and leveling of bottom guide).

